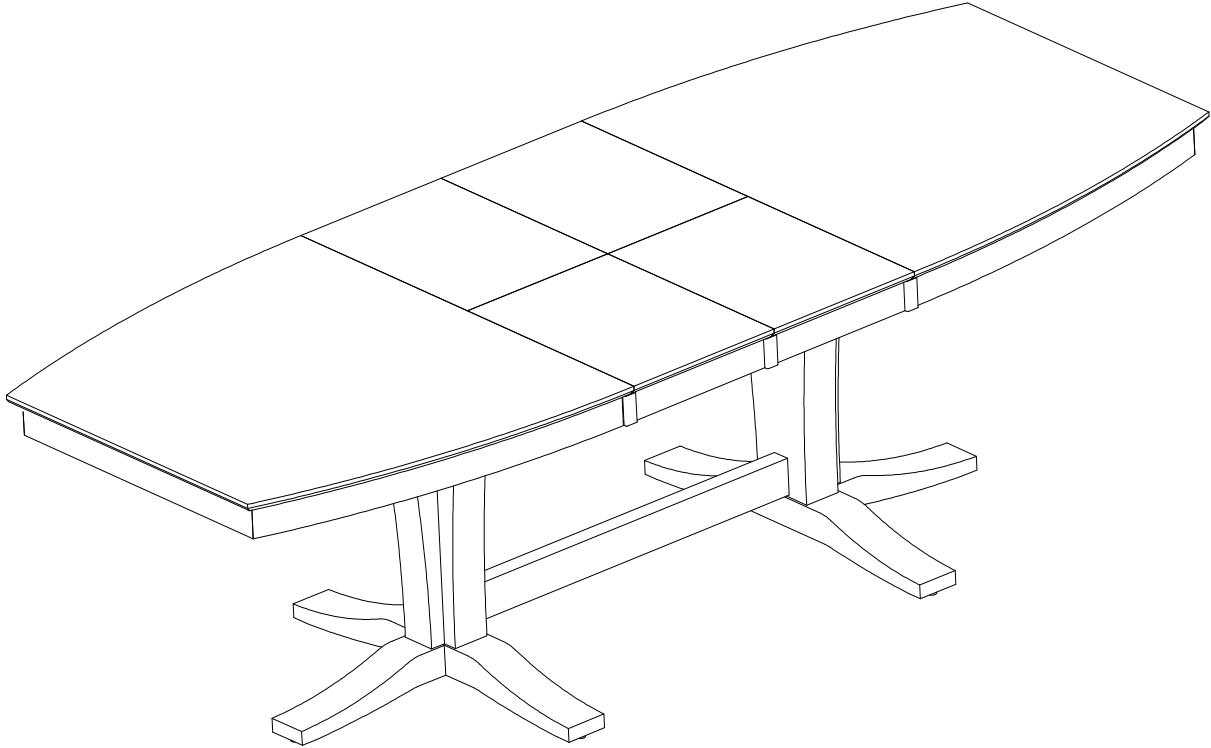


# ASSEMBLY INSTRUCTIONS

---



---

Description : MILANO TABLE TOP & MILANO TABLE BASE  
Item No :T-4096XXT AND T-4096XXB

**ITEM NO : T-4096XXT AND T-4096XXB**  
**REVISED NOV 20, 2012**

**Printed in Vietnam**

THE HARDWARE REQUIRED TO ATTACH THE PEDESTAL IS PACKED WITH THE PEDESTAL. - 1 -

## BEFORE ASSEMBLY

Thank you for purchasing this quality product. This product has been designed for easy assembly and constructed for durability. All parts were checked prior to packaging to insure quality. Prior to beginning assembly, however, make sure all parts and hardware are included and free of obvious defect. If a part is missing or defective, please contact the store where purchased. If hardware is missing, or you need help with assembly, please call toll free 888-944-8396.

### IMPORTANT NOTE:

- Place all wooden parts on a clean and smooth surface such as a rug or carpet to avoid the parts from being scratched.
- Remove all wrapping material, including staples & packing straps before you start to assemble.
- DO NOT tighten all screws and bolts until completely assembled.
- Keep all hardware parts out of reach of children.

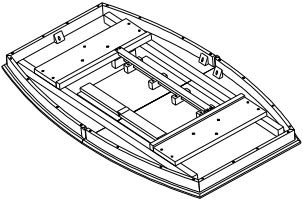
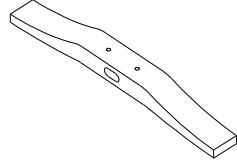
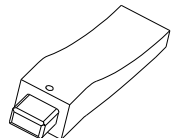

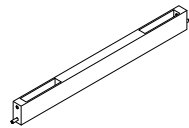
### ASSEMBLY TOOLS REQUIRED



NOT INCLUDED





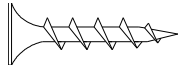

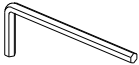

## PART LIST

When unpacking, please be careful not to discard any parts with the packaging. Before continuing, please make sure you have the following parts:

NO	Description	Qty	Sketch	NO	Description	Qty	Sketch
A	Top	1		B	Long leg	2	
C	Short leg	2		D	Pedestal column	2	
E	Crossbar	1					

## HARDWARE LIST

When unpacking, please be careful not to discard any parts with the packaging. Before continuing, please make sure you have all of the following hardware:

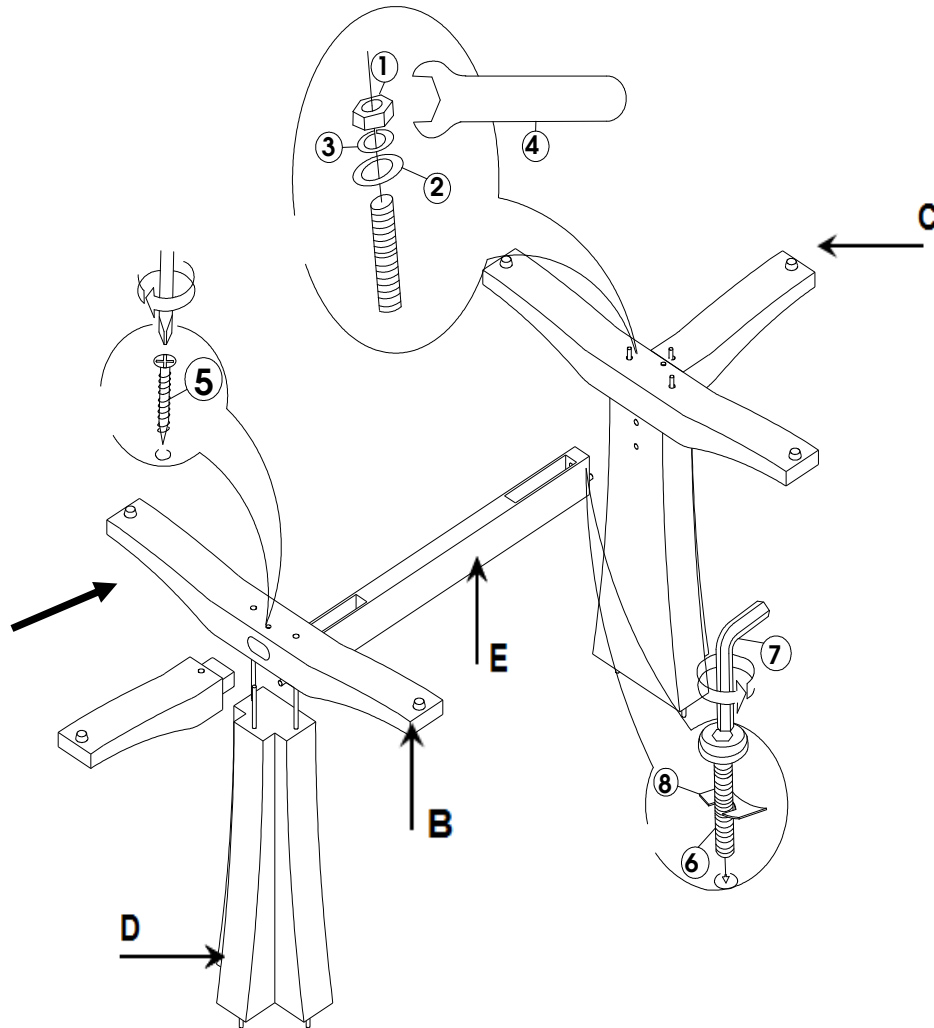
NO	Description	Qty	Sketch	NO	Description	Qty	Sketch
1	Hexagon nut (M8x13mm)	12		2	Flat washer ( $\Phi$ 8.5x19mm)	12	
3	Lock washer ( $\Phi$ 8.5x11mm)	12		4	Wrench (M13mm)	1	
5	Wood screw (M4x30mm)	4		6	Bolt (M8x70mm)	2	
7	Allen key (4mm)	1		8	U-washer (M8)	2	

**ITEM NO : T-4096XXT AND T-4096XXB**  
**REVISED NOV 20, 2012**

**Printed in Vietnam**

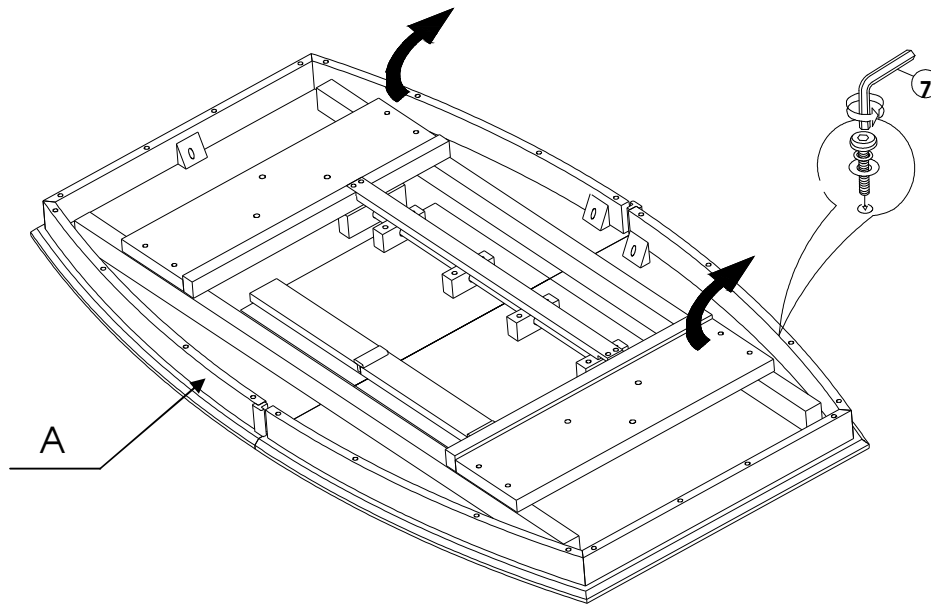
## STEP 1

Attach crossbar (E) to pedestal columns (D) with bolts (6) and U-washers (8). Tighten with Allen key (7)  
Attach legs (C) to legs (B) with screws (5). Tighten with a screwdriver.  
Attach legs (B & C) to pedestal columns (D) with nuts (1), and washers (2) and (3) as shown below.  
Tighten with the wrench (4).



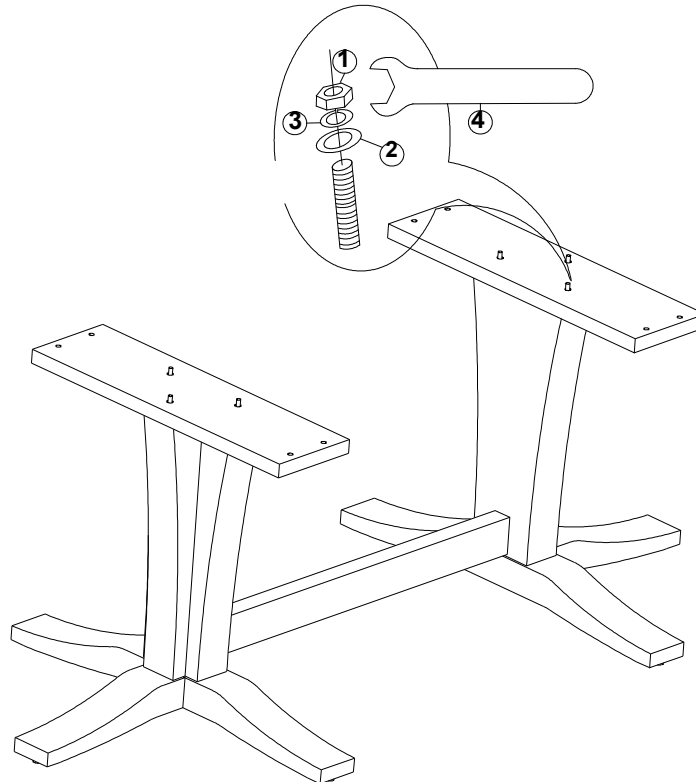
## STEP 2

Using Allen key (7) to loosen bolts and washers and remove the mounting plates.



## STEP 3

Attach mounting plates to the top of the pedestals (D) with nuts (1), and washers (2) and (3). Tighten with wrench (4) as shown below.



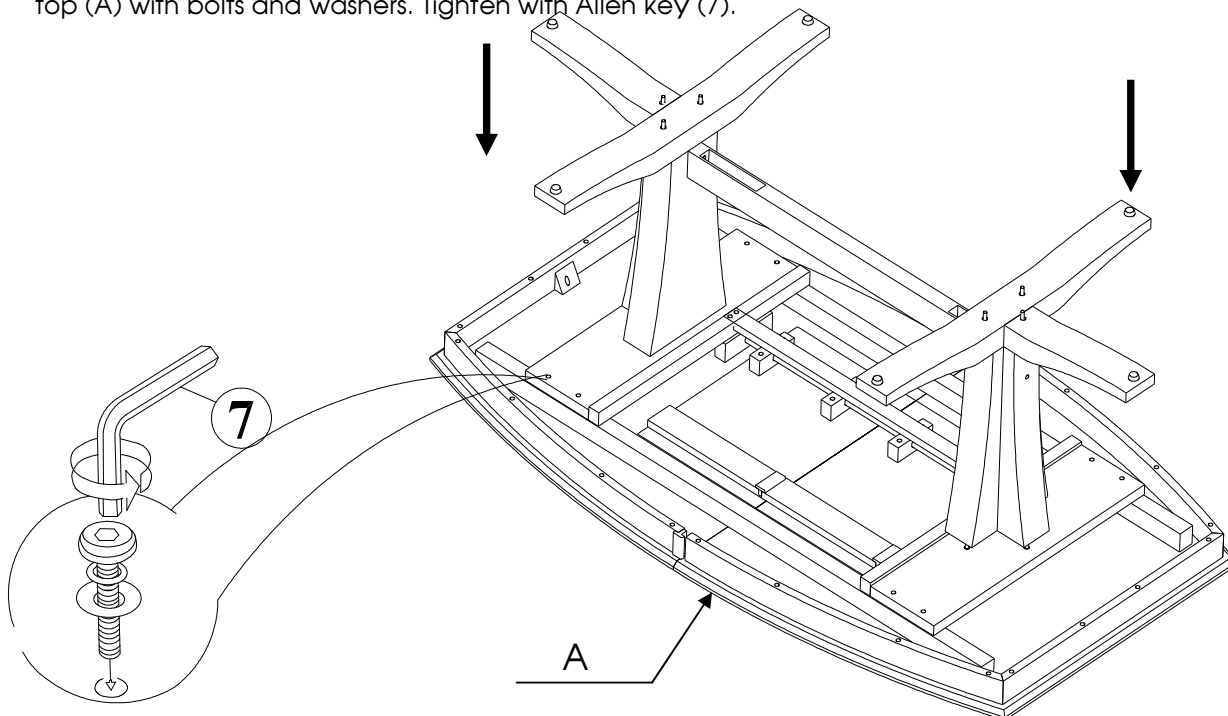
ITEM NO : T-4096XXT AND T-4096XXB  
REVISED NOV 20, 2012

Printed in Vietnam

THE HARDWARE REQUIRED TO ATTACH THE PEDESTAL IS PACKED WITH THE PEDESTAL. - 5 -

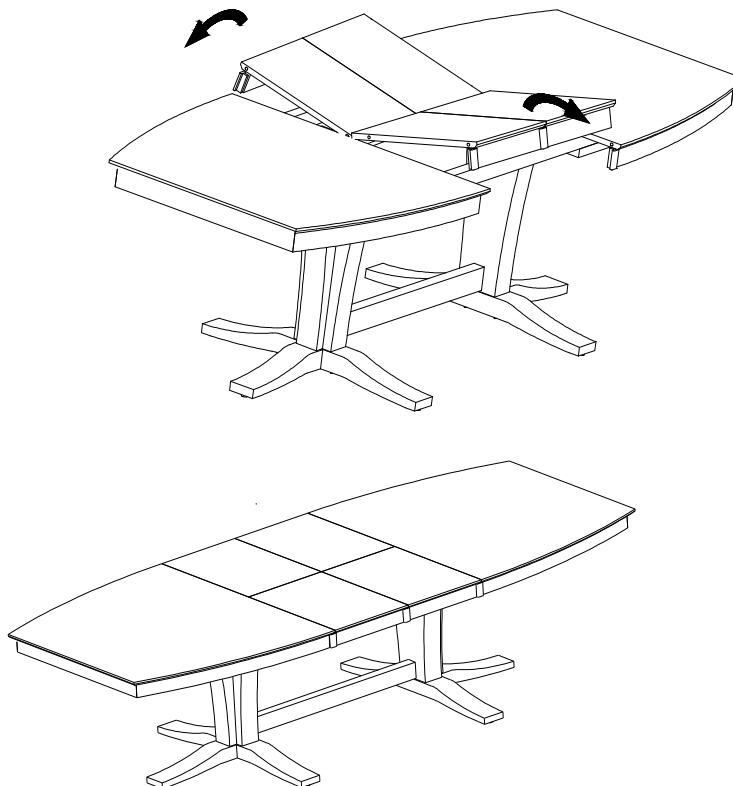
## STEP 4

Carefully place the base (from Step 3) on the bottom side of top (A). Attach mounting plates to table top (A) with bolts and washers. Tighten with Allen key (7).



## STEP 5

Unlock the table top from both sides underneath the table top. Pull the 2 parts of the top apart. Place the leaves in the center of the open table top. Push the table top closed.



ITEM NO : T-4096XXT AND T-4096XXB  
REVISED NOV 20, 2012

Printed in Vietnam

THE HARDWARE REQUIRED TO ATTACH THE PEDESTAL IS PACKED WITH THE PEDESTAL. - 6 -

## STEP 6

Lock the mechanism underneath 2 sides of the table top before use.  
To unlock, press the button up from the steel glide before opening the leaf as shown below.

